**Description:**

This is an SMA right angled connector, highly suitable for prototyping with cellular devices and GPS that needs an antenna connection. The female signal pin present in this connector correctly mate with the original SMA type antenna and ensures reliable functioning.

**Electrical specifications:**

- Frequency: DC to 6 GHz
- Insertion Loss (dB):  $\leq 0.1 \times \text{Sqrt. (f GHz)}$
- VSWR /Return Loss: 1.25 to 6 GHz

**Configuration:**

- Connector 1 Type: SMA Female
- Connector 1 Impedance: 50 Ohms
- Connector 1 Polarity: Standard
- Body Style: Right Angle
- Connector Mount Method: Bulkhead
- Connector 2 Interface Type: Pin
- Cable Attachment Method: Solder

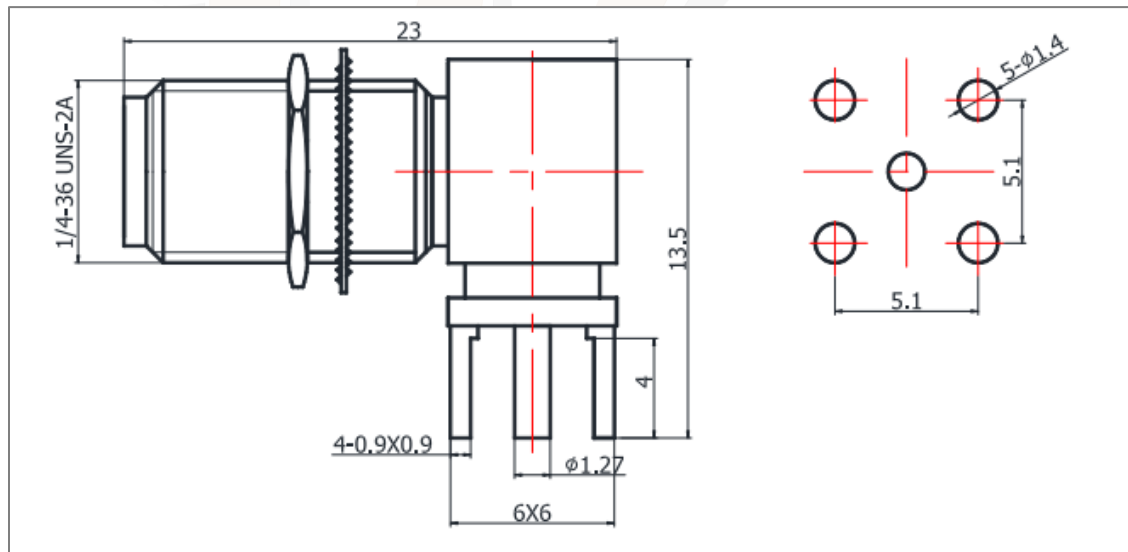
## Materials Information:

- Center Contact: CuBe Gold Plated
- Outer Contact: Brass Gold Plated
- Body: Brass Gold Plated
- Dielectric: PTFE

## Environmental Data:

- Temperature Range: -40°C to +165°C
- 2002/95/EC(RoHS): Compliant

**Diagram:** \*Dimensions are in mm



## Application:

- GPS tracking systems
- GSM communication devices etc.