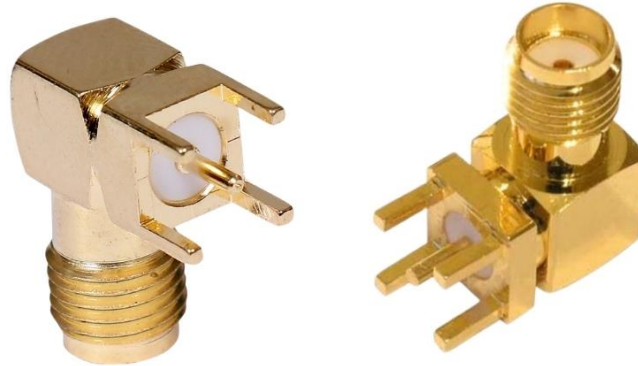




SMA Connector TS-SMA-F-KWE-RA



Description:

This is an SMA right angled connector, highly suitable for prototyping with cellular devices and GPS that needs an antenna connection. The female signal pin present in this connector correctly mate with the original SMA type antenna and ensures reliable functioning.

Electrical specifications:

- Frequency: DC to 6 GHz
- Insertion Loss (dB): $\leq 0.1 \times \text{Sqrt. (f GHz)}$
- VSWR /Return Loss: 1.25 to 6 GHz

Configuration:

- Connector 1 Type: SMA Female
- Connector 1 Impedance: 50 Ohms
- Connector 1 Polarity: Standard
- Body Style: Right Angle
- Connector Mount Method: Bulkhead
- Connector 2 Interface Type: Pin
- Cable Attachment Method: Solder



SMA Connector TS-SMA-F-KWE-RA

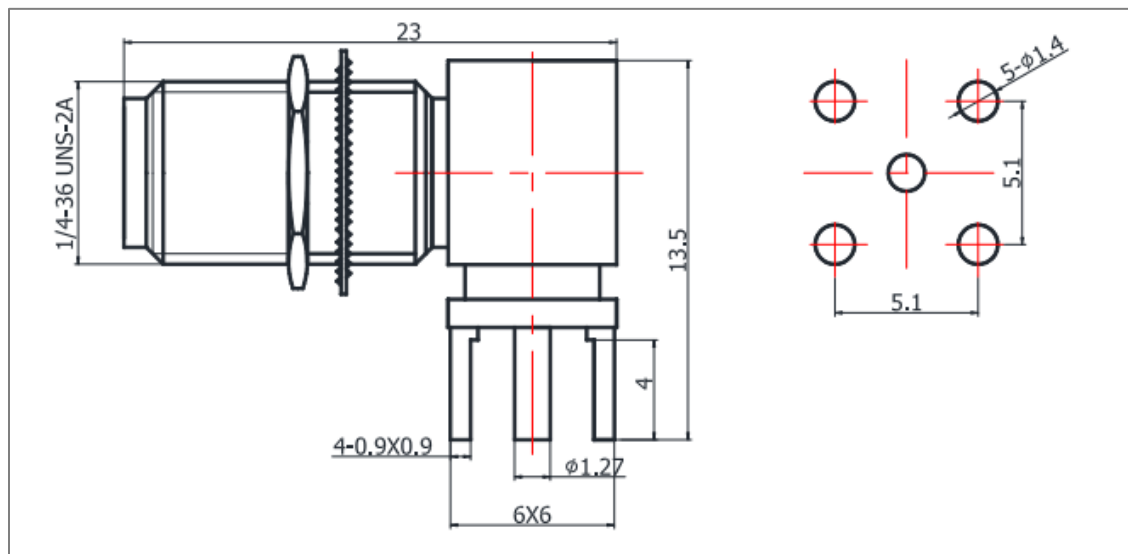
Materials Information:

- Center Contact: CuBe Gold Plated
- Outer Contact: Brass Gold Plated
- Body: Brass Gold Plated
- Dielectric: PTFE

Environmental Data:

- Temperature Range: -40°C to +165°C
- 2002/95/EC(RoHS): Compliant

Diagram: *Dimensions are in mm



Application:

- GPS tracking systems
- GSM communication devices etc.