

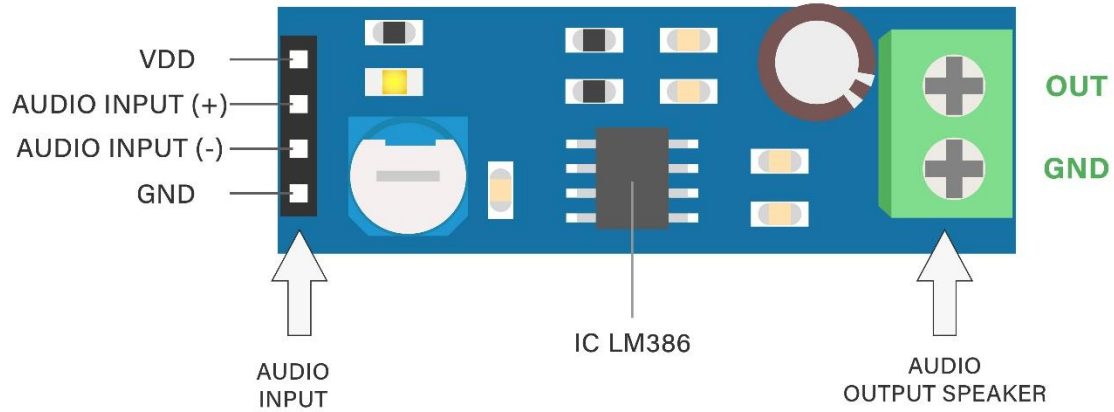
### Description:

LM386 Audio Amplifier Module If your project needs an audio amplifier, this module should be useful. It is a miniature module for amateur projects. Simply connect a 4-8 Ohm speaker and amplify your sound. It can be used with the FM receiver kit or WTV020SD-16P music module. You can use this module for other musical projects also. The chip pin leads can directly input audio signal.

### Specifications and Features:

1. Chip: LM386
2. Operating Voltage: 4~12V
3. 200 multiplier benefits circuit design
4. On-board speaker wiring Block
5. On-board 10K variable resistor, you can adjust the volume of the enlarged
6. Onboard power indicator
7. Length: 41mm
8. Width: 13.7mm
9. Height: 10mm

### Pin Diagram:



### Applications:

- AM-FM Radio Amplifiers
- Portable Tape Player Amplifiers
- Intercoms
- TV Sound Systems
- Line Drivers
- Ultrasonic Drivers
- Small Servo Drivers
- Power Converters

